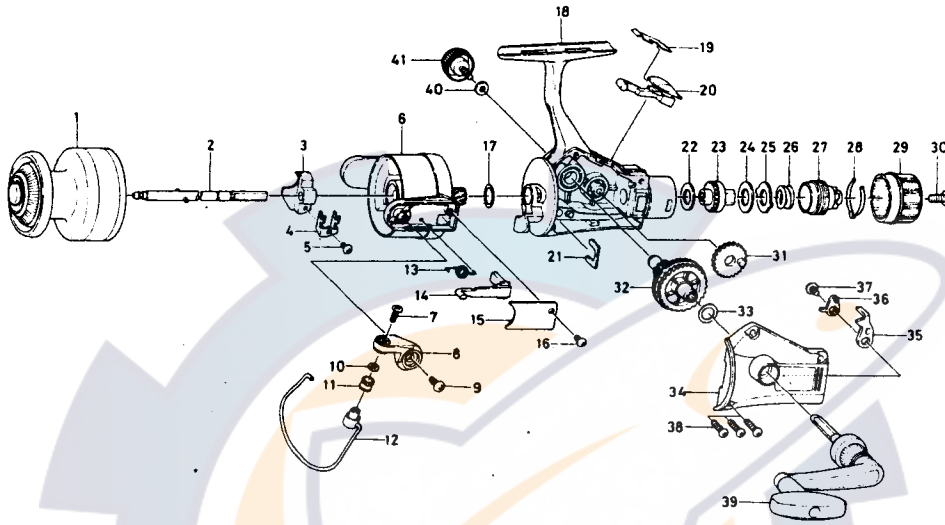


SPINNING REEL J1050



Key No.	Parts No.	Parts Name	Price Each	Key No.	Parts No.	Parts Name	Price Each
1	B77-8605	Spool	6.50	22	B48-9901	Drag washer A	0.40
2	B74-8201	Main shaft	1.20	23	B74-7401	Click gear	0.85
3	B74-8101	Oscillating slider	0.90	24	B76-0501	Drag washer B	0.40
4	B81-2701	Oscillating slider retainer	0.35	25	B49-0102	Eared washer	0.35
5	351-1804	Oscillating slider screw	0.35	26	B92-6701	Drag coil spring	0.35
6	B92-3601	Rotor	5.60	27	B74-7603	Drag screw	0.90
7	B67-9301	Line roller screw	0.35	28	B74-7701	Drag washer spring	0.40
8	B91-6701	Bail arm	0.70	29	B74-7801	Drag knob	1.00
9	351-6102	Bail arm screw	0.50	30	352-1103	Drag knob spring screw	0.50
10	B55-4301	Line roller washer	0.35	31	413-4501	Oscillating gear	0.60
11	250-3921	Line roller	0.80	32	B91-7101	Drive gear	1.50
12	B92-3901	Bail	1.25	33	375-8500	Drive gear washer	0.40
13	B91-6501	Bail spring	0.45	34	B91-7202	Side cover	2.10
14	B92-3801	Bail trip lever	0.35	35	E05-2001	Anti-reverse pawl	0.50
15	B91-6801	Bail spring cover	0.40	36	B50-1201	Anti-reverse pawl plate	0.50
16	352-0402	Bail spring cover screw	0.35	37	351-6102	Anti-reverse pawl screw	0.50
17	372-8600	Spool washer	0.40	38	351-6407	Side cover screw	0.35
18	B91-5902	Body	4.60	39	B91-9401	Handle	3.85
19	B79-0101	Anti-reverse cam spring	0.50	40	B92-4901	Handle lock washer	0.40
20	B84-8901	Anti-reverse lever	0.60	41	B92-5001	Handle screw cap	0.50
21	B60-3801	Pinion retainer	0.35				